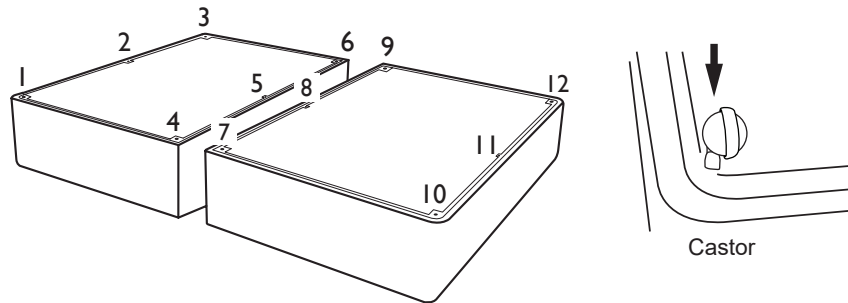


# RIVINGTON DIVAN

## 1. Inserting the castor

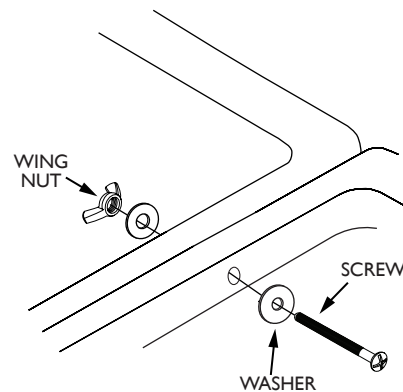
Turn your divan base(s) upside down and carefully fold back the skirts so they are away from the bottom of the divan. Insert each shepherd castor into position and tap with a mallet. Socket locations numbered below:



## 2. Linking your Rivington divan bases **IGNORE IF ASSEMBLING A SINGLE DIVAN**

Stand up both divan halves on either foot or head end and bring together whilst keeping the two skirts folded down on the divan sides that meet, as shown in the picture.

Fasten the two divan halves together using the bolts, ensuring there is a washer on each side then tighten using the wing nut and a screwdriver. The fabric may need piercing using scissors - if so, the position is marked by 4 staples.



3. Carefully lower your divan so that it stands on the floor. Your divan is now ready for your Country Living mattress.



## DIVAN ASSEMBLY INSTRUCTIONS

Using only the finest materials, your new Country Living Divan has been hand crafted using traditional skills at the highest level and every possible care has been taken to ensure many years of reliable service.

We are sure you will agree that your new Country Living divan deserves special care and attention, therefore please take your time to become familiar with the following assembly instructions to ensure your divan is assembled correctly. Please be sure to keep this leaflet in a safe place for future reference.

- Please remove and dispose of all packaging carefully before assembling your new Country Living divan being careful not to use a sharp instrument that may damage the fabric.
- We recommend that you keep children away from the work area whilst assembling.
- Take extreme care when lifting to avoid personal injury or damage to the product.
- Assemble your Country Living divan as close to its intended final position in the room as possible.
- We recommend two people assemble this product, as some lifting will be required.
- The only tools required are a flat head screwdriver, a pair of scissors and a mallet.

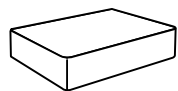


AG

ML10/1103



# COMPONENT PARTS AND FITTINGS

Please open the fittings packs detailed below and check the contents before assembly.



	Number of pieces	
	Single 90 x 190cm	Small Double 120 x 190cm Double 135 x 190cm King 150 x 200cm Super King 180 x 200cm
Divan base(s)	1	2

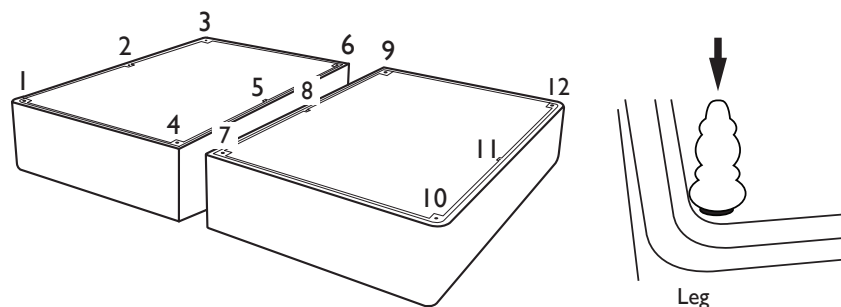
**Fittings pack;** supplied in a plastic bag attached to the underneath of the divan base

Castors or legs		6	12
Headboard bolts		4	8

## THIRLMERE DIVAN

### I. Inserting the wooden legs

Turn your divan base(s) upside down and screw each wooden leg into position using the pre-prepared holes ensuring they are secured tightly. Each leg location is numbered below:



### 2. Linking your Thirlmere divan bases IGNORE IF ASSEMBLING A SINGLE DIVAN

Stand up both divan halves on either foot or head end and bring together as shown in the picture. Fasten together using the hook and bolts at the two locations (a) and (b) indicated in the picture.

